



touch-free tapware

AUTO-FOCUS INFRARED
SENSING TECHNOLOGY
LOW POWER CONSUMPTION
VANDAL RESISTANT

 **ENWARE**

installing **confidence**

www.enware.com.au

the next generation of electronic tapware

THE TOUCH-FREE TAPWARE SOLUTIONS FROM ENWARE-ORAS COMBINES ADVANCED ELECTRONIC TECHNOLOGY WITH EUROPEAN DESIGN. THE RANGE PROVIDES PROVEN PERFORMANCE AND RELIABILITY IN DEMANDING APPLICATIONS.

- Auto-focus infra-red sensing technology with triangulation for a more consistent, reliable operation
- Improved user friendliness with Intelligent Activation and After-Flow technology
- Low power consumption
- Vandal resistant dual point fixings
- Electronics have IP67 rated protection against water and humidity
- Single temperature and mixing available
- Mains and battery models

WATER EFFICIENCY



Enware-Oras Tapware is supplied with WELS 6 Star (5.4lpm) water efficiency rating as standard.

Enware Tapware is manufactured to the exacting WaterMark standard AS/NZS3718.



**enware-oras
advanced
electronic
design
and engineering**

touch-free tapware solutions

CUBISTA SERIES SENSOR TAP WITH OPTIONAL TEMPERATURE ADJUSTER



VEGA SERIES SENSOR TAP WITH OPTIONAL TEMPERATURE ADJUSTER



VIVA SERIES SENSOR TAP WITH OPTIONAL TEMPERATURE ADJUSTER



ELECTRA SERIES SENSOR TAP WITH MIXED TEMPERATURE CONTROL



ELECTRA SERIES SENSOR TAP WITH SINGLE TEMPERATURE CONTROL



ELECTRA GOOSE NECK SERIES - SENSOR TAP



ENDURA SENSOR ACTIVATED BASIN TAP



ELECTRONIC TAPWARE

CUBISTA SERIES SENSOR TAP WITH OPTIONAL TEMPERATURE ADJUSTER

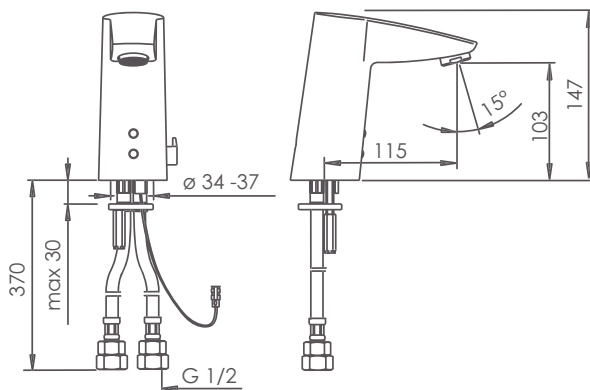
Inspired by Cubist Art, this ultra modern touch-free tapware with geometric shape and elegant 'look' has been created by top Finnish designer Kirsi Svard. High in quality and easy to use the Cubista is well suited for upmarket applications and is supplied with temperature adjustment for greater user comfort and control. Featuring auto-focus technology and an impulse controlled solenoid for maximum reliability. Battery or mains power options. Supplied complete with mesh strainers and non-return valves.

Order Code:

ENM6450 - Battery

ENM6420 - Mains

WELS 6 Star (5.4lpm) water efficiency rating supplied as standard



VEGA SERIES SENSOR TAP WITH OPTIONAL TEMPERATURE ADJUSTER

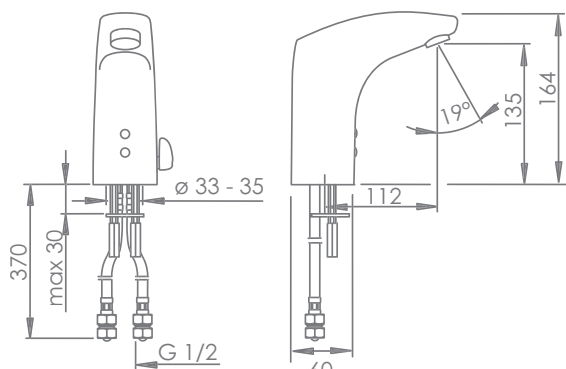
The stylish Vega touch-free basin tap features auto-focus sensing technology, impulse controlled pilot valve and a contemporary, easy to clean design. The Vega sensor tap is supplied set up for single temperature applications with the additional inlet and temperature adjustment lever included for easy on site conversion to a mixer. The Vega is a perfect choice for almost all hands free washroom applications. Dual fixing points help reduce the risk of rotation. Choose from mains or battery operated. On this model the battery is within the tap body for protection and easier above the basin maintenance.

Order Code:

ENM6222 - Mains

ENM6250 - Battery

WELS 6 Star (5.4lpm) water efficiency rating supplied as standard



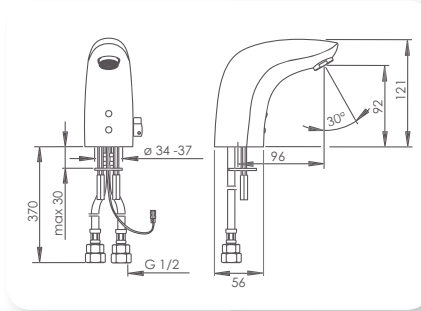
ELECTRONIC TAPWARE

VIVA SERIES SENSOR TAP WITH OPTIONAL TEMPERATURE ADJUSTER

The compact Viva touch-free wash basin tap is supplied as a single temperature model as a default but contains the additional inlet hose and temperature adjustment lever for easy conversion to a mixer. Choose battery or mains power. The Viva is stylishly designed, built for frequently used public bathroom applications. Dual fixing points help to reduce the risk of rotation in more vandal prone applications. The advanced auto focus sensor technology means no adjustments are needed after installation.

Order Code:
ENM6120 - Mains
ENM6150 - Battery

WELS 6 Star (5.4lpm) water efficiency rating supplied as standard

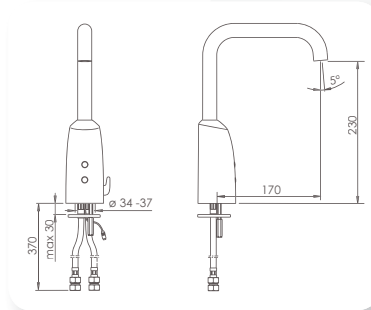


ELECTRA GOOSE NECK SENSOR TAP WITH MIXED TEMPERATURE CONTROL - 170MM SPOUT

The Electra Goose Neck range from Enware-Oras combines advanced electronic auto-focus technology with European design and engineering. High in quality and easy to use. A perfect choice for all commercial touch-free washroom applications especially when a higher and longer spout is desired such as health applications. The small lever on the side of this tap allows users to adjust temperature providing a more versatile sensor activated solution for bathrooms or kitchens.

Order Code:
170mm Spout
ENM6323 - Mains
ENM6353 - Battery

WELS 6 Star (5.5LM) water efficiency rating supplied as standard

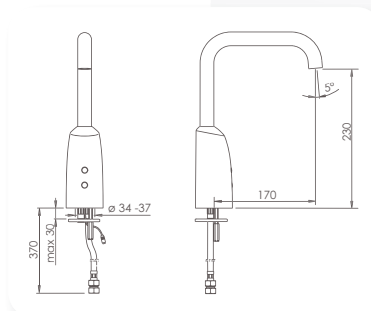


ELECTRA GOOSE NECK SENSOR TAP FOR SINGLE TEMPERATURE ONLY - 170MM SPOUT

The Electra Goose Neck range from Enware-Oras combines advanced electronic auto-focus technology with touch-free design and engineering. High in quality and easy to use. A perfect choice for all commercial 'Hands Free' washroom applications especially when a higher and longer spout is desired such as health applications. This single temperature version can be used for either premixed warm water or cold water supply.

Order Code:
170mm Spout
ENM6320 - Mains
ENM6350 - Battery

WELS 6 Star (5.5LM) water efficiency rating supplied as standard



ELECTRONIC TAPWARE

ELECTRA WALL MOUNTED GOOSE NECK SENSOR TAP - SINGLE TEMPERATURE

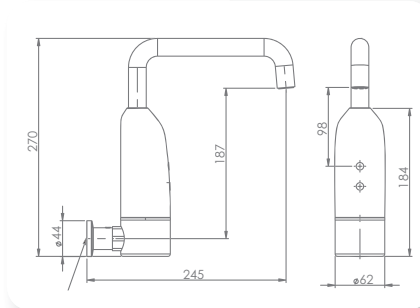
The Goose Neck wall tap from Enware-Oras combines advanced electronic auto-focus technology with European design and engineering. High in quality and easy to use this wall mounted option provides an excellent alternative to the basin mounted range. All serviceable parts are easily accessible in front of wall with an integral ball valve and mesh strainer. The 6V battery operation is enclosed behind the sensor and all electronics have IP67 rated protection against water and humidity.

- Supplied with blue, yellow and red indicator rings for cold, warm or hot water identification.

Order Code:

ENM6550 - Battery

WELS 6 Star (5.5LM) water efficiency rating supplied as standard

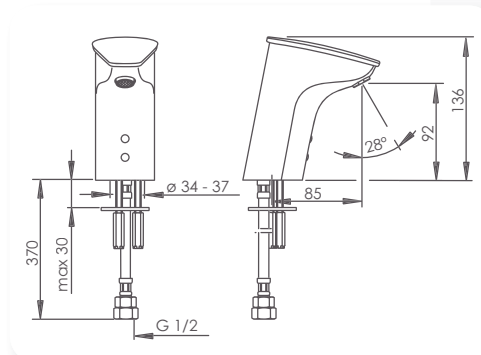


ENDURA SENSOR ACTIVATED BASIN TAP

Compact touch-free single temperature washbasin tap. Designed for heavy use public washroom applications with dual point fixing to help reduce the risk of rotation in vandal prone applications. Battery and solenoid are inside the tap body for protection, easier installation and maintenance.

Order Code:

ENM6050 - Battery



TECHNICAL INFORMATION

Connection:	3/8" & 1/2" BSP Flexi Connector
Recommended Working Pressure:	100 - 500kPa
Maximum Operating Temperature[^]:	70°C
Sensor Range:	Optimally Preset using Auto-Focus technology
Mains Powered:	12V transformer with 2m lead Input:100-240V~50/60Hz Output:+12V DC 1000mA
Battery Powered:	6V Lithium 2CR5 battery Battery life guide: 4 ± 1 years
Protection Class:	IP 67
Max Flow Period:	2 Minutes

[^] Enware tapware must be installed in accordance with the provisions of, AS/NZS3500 and any relevant local regulations. Installations not complying with AS/NZS3500 may void the product and performance warranty provisions. Heated Water supply AS/NZS 3500.4.

For all sanitary fixtures used primarily for personal hygiene purposes are to deliver heated water not exceeding:

- a) 45°C for early childhood centres, primary and secondary schools, nursing homes or similar facilities for young, aged, care, sick or people with disabilities (43.5°C - NSW Health)
- b) 50°C in all other buildings.

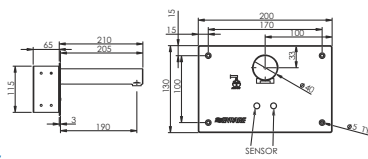
ALSO AVAILABLE FROM ENWARE

ENMATIC WALL MOUNTED SENSOR ACTIVATED TIME FLOW

- Default 6 seconds (adjustable to 3, 9 or 12)
- Mains power - 24V
- 205mm reach spout

Order Code: ENM5071-205

5 star (5.9 lpm) water efficiency rating supplied as standard.
Also available in 3 star (9.1 lpm), 4 star (7.7 lpm) and 6 star (5.6 lpm) ratings.



ENMATIC WALL MOUNTED TOUCH BUTTON TIME FLOW

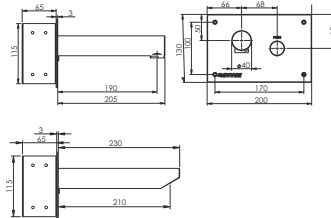
- Default 6 seconds (programmable to 12 or 18 seconds)
- Mains power - 24V
- 205mm or 250mm reach spout options

Order Code:

ENM5073-205 - 205mm reach spout

ENM5073-250 - 250mm reach spout

5 star (5.9 lpm) water efficiency rating supplied as standard.
Also available in 3 star (9.1 lpm), 4 star (7.7 lpm) and 6 star (5.6 lpm) ratings.



ENMATIC WALL MOUNTED SENSOR ACTIVATED WAVE-ON WAVE-OFF

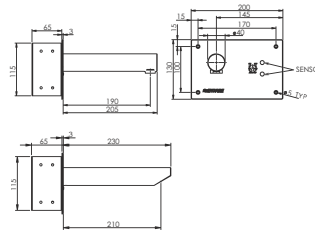
- 45 second timed out (if not waved off)
- Mains power - 24V
- 205mm or 250mm reach spout options

Order Code:

ENM5072-205 - 205mm reach spout

ENM5072-250 - 250mm reach spout

5 star (5.9 lpm) water efficiency rating supplied as standard.
Also available in 3 star (9.1 lpm), 4 star (7.7 lpm) and 6 star (5.6 lpm) ratings.



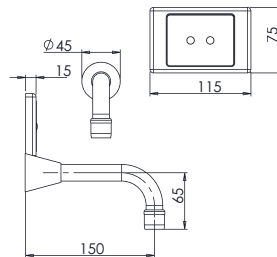
ENMATIC WAVE ON - WAVE OFF WALL TAP PLASTIC SENSOR PANEL

Supplied complete with:

- 150mm fixed wall outlet SP201 (options available)
- 3/8" solenoid valve
- 24V AC power pack with 2m lead
- Plastic sensor panel and mountings

Order Code: EMW802

4 Star (8.7 lpm) water efficiency rating supplied as standard.
Also available in 3 (9.1 lpm) and 6 (5.6 lpm) Star ratings.



ENMATIC WAVE-ON WAVE-OFF WALL TAP STAINLESS STEEL SENSOR PANEL

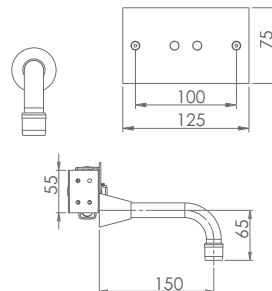
Supplied complete with:

- 150mm fixed wall outlet SP201 (options available)
- 3/8" solenoid valve
- 24V AC power pack with 2m lead
- Stainless steel sensor panel and mountings

Order Code: EMW803 - Wave-on wave-off (60 second max flow)

Order Code: EMW804 - Wave-on 6 seconds time flow (auto shut-off)

5 star (5.9 lpm) water efficiency rating supplied as standard.
Also available in 3 star (9.1 lpm), 4 star (7.7 lpm) and 6 star (5.6 lpm) ratings.



TECHNICAL INFORMATION

Inlet Connection:	15 mm [1/2"] BSP
Recommended Working Pressure:	50 - 500 kPa*
Working Pressure Range:	30 - 800kPa*
Flow Rate:	6 Star (5.6 lpm) water efficiency rating supplied standard. 3 star (9.1 lpm) or 4 star (7.7 lpm) WELS ratings available on request.
Maximum Temperature:	70°C^
Sensor Range:	Approx. 170mm
Time Flow Specifications ENM5071:	Default flow time of 6 seconds. 3, 9 or 12 seconds programmable on site
Wave-On Wave-Off Specifications ENM5072:	45 seconds maximum run time if not waved off by user
Power Supply:	24V AC

*Enware tapware must be installed in accordance with the provisions of AS/NZS3500 and any relevant local regulations. Installations not complying with AS/NZS3500 may void the product and performance warranty provisions.

^ Heated Water supply AS/NZS 3500.4. For all sanitary fixtures used primarily for personal hygiene purposes are to deliver heated water not exceeding:

- 45°C for early childhood centres, primary and secondary schools, nursing homes or similar facilities for young, aged, care, sick or people with disabilities (43.5°C - NSW Health Code of Plumbing Practice).
- 50°C in all other buildings.

CONTACT US

1300 369 273 | WWW.ENWARE.COM.AU | INFO@ENWARE.COM.AU

ABOUT US

We manufacturer commercial plumbing and safety solutions you can install with confidence. Our commitment of quality, insight and continual design improvement earns us a reputation for delivering high quality products. We deliver solutions that exceed your expectations today, and long into the future.

OUR OFFICES

NEW SOUTH WALES | VICTORIA | SOUTH AUSTRALIA | WESTERN AUSTRALIA
NORTHERN TERRITORY | QUEENSLAND | ASIA | MIDDLE EAST

RELATED PRODUCTS



Oras Single Lever Mixers, stylish and robust



Aquablend™ Australian made TMV Range



Enmatic Wall Mounted Electronic Taps



Hygienic lever action, knee and foot operated tapware



IFO Scandinavian commercial sanitary ware



Electronic Flushing systems for WC and urinals